

# D-Helix™ Antenna HX-CH7609A

Harxon Patented D-QHA Technology Inside



## High Performance Helix Antenna for UAVs and Surveying

The Harxon HX-CH7609A is a high performance GNSS antenna designed for high precision positioning service and offers superior satellite signal tracking, including GPS, GLONASS, GALILEO, BeiDou, as well as L-Band correction service. It could be used for applications as surveying and mapping, and various UAVs operations as aerial photography, remote sensing, infrastructure inspection, traffic control, and public security.



### HIGH PHASE CENTER STABILITY AND CONSISTENT PERFORMANCE

The HX-CH7609A helix antenna features a multi-point feeding technology that ensures a high phase center stability with centimeter level accuracy as well as adopts D-QHA technology for extraordinary 2.8dBi gain on the premise of a wider frequency band. Its high gain with ultralow signal loss, wide beam width for exceptional low elevation satellite tracking with symmetric radiation patterns effectively improve positioning accuracy even under challenge environments that has blockage.

### STRONG ANTI-INTERFERENCE PERFORMANCE

The HX-CH7609A adopts advanced circuit layout and equips a robust pre-filtered LNA that features an excellent out-of-band interference rejection performance and restraints possible unwanted electromagnetic interference, providing reliable and stable GNSS signals and avoiding disconnection possibility when UAVs are flying in environments that have electromagnetic interference.

### OPTIMIZED INSTALLTION FOR INTEGRATION

Weighting only 30.5g, the lightweight HX-CH7609A GNSS antenna has a compact dimension, with  $\Phi 43.6 \times H 40.8$ mm only. It employs screws mounting at the bottom of the antenna for better steadiness. All these advantages makes it ideal for integrated design. It could significantly improve the overall reliability of the UAVs by reducing weight and increasing fly endurance.

### KEY FEATURES

- Comprehensive GNSS support: GPS, GLONASS, Galileo, BeiDou, as well as L-Band correction service
- Centimeter phase center repeatability, high gain at low elevation
- Improved signal filtering and excellent multipath rejection
- lightweight, low profile facilitates easier integration

# D-Helix™ Antenna HX-CH7609A

Harxon Patented D-QHA Technology Inside

**Harxon**  
a *BDStar* company

## PERFORMANCE

<b>Signal Received</b>	
GPS	L1/L2/L5
GLONASS	L1/L2
GALILEO	E1/E5a/E5b
BDS	B1/B2/B3
QZSS	L1/L2/L5/L6
IRNSS	L5
SBAS	L1/L5
L-Band	
<b>Nominal Impedance</b>	50Ω
<b>Polarization</b>	RHCP
<b>Axial Ratio</b>	≤3dB
<b>Gain RHCP(maximum)</b>	
1166-1278MHz	2.6dBi (@ Zenith)
1559-1612MHz	2.8dBi (@ Zenith)
L-Band	1.5dBi (@ Zenith)
<b>Azimuth Coverage</b>	360°[Omni-directional]
<b>Output VSWR</b>	≤2.0

## LOW NOISE AMPLIFIER

<b>LNA Gain</b>	33±2dB
<b>Noise Figure</b>	≤2dB
<b>Output VSWR</b>	≤2.0
<b>Out of Band Rejection</b>	
Upper Band:	<1400MHz>30dB
	<1450MHz>33dB
	>1700MHz>30dB
Lower Band:	<1000MHz>41dB
	<1100MHz>40dB
	<1130MHz>28dB
<b>Passband Ripple</b>	±2dB
<b>Operation Voltage</b>	+3.3V to +5V DC
<b>Operation Current</b>	≤55mA
<b>Differential Propagation Delay</b>	≤5ns

## MECHANICAL

<b>Dimensions</b>	φ43.6*40.8mm
<b>Connector</b>	SMA-J
<b>Weight</b>	≤30.5g
<b>Mounting</b>	3-NO.3-48UNC screws fixed

## ENVIRONMENTAL

<b>Temperature</b>	
Operating	-40°C to +70°C
Storage	-55°C to +70°C
<b>Humidity</b>	95% non-condensing
<b>Water/Dust Resistance</b>	IP67

[en.harxon.com](http://en.harxon.com)

sales@harxon.com

9/F, Block B, Building D3, TCL International

E City, NO.1001 Zhongshanyuan Road,

Nanshan District, Shenzhen, China

Tel: +86-755-26989948

Fax: +86-755-26989994

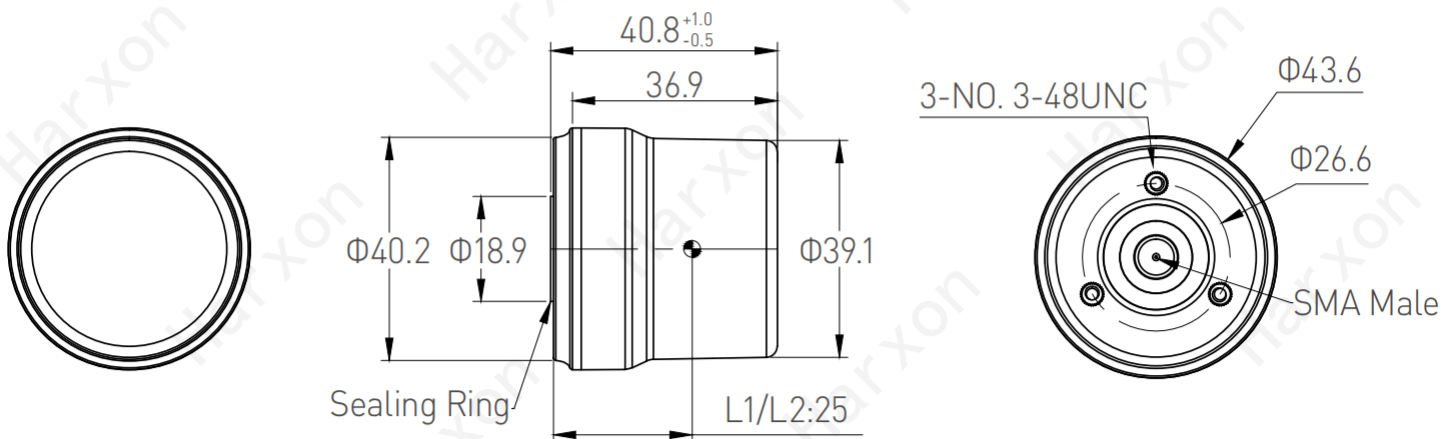
**Version 1** Specifications subject to change without notice.

©2020 Harxon Corporation. All rights reserved.

Printed in China

August 2020

## Structure& Phase Center Drawing (mm)



TOP VIEW

SIDE VIEW

BOTTOM VIEW

Undeclared Tolerance:±0.3mm