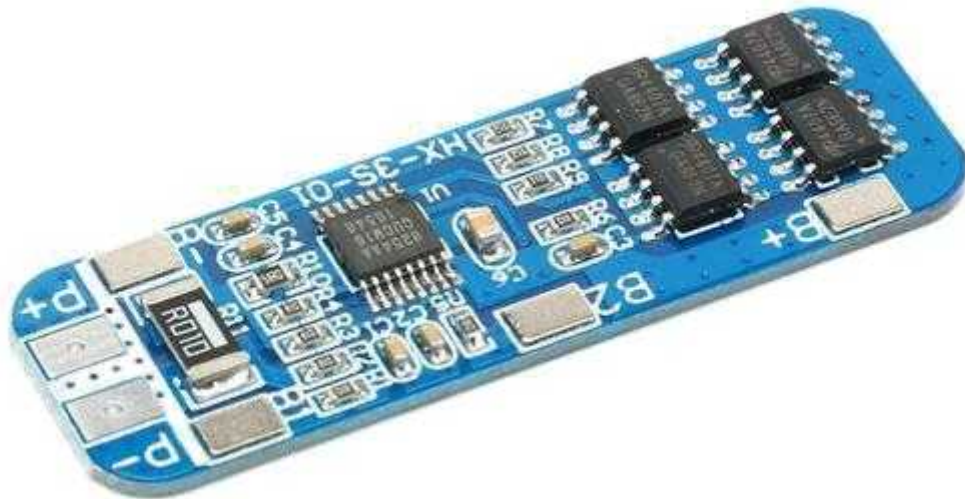


Datasheet

3S 12V 10A 18650 Lithium Battery Overcharge and Over-current Protection board

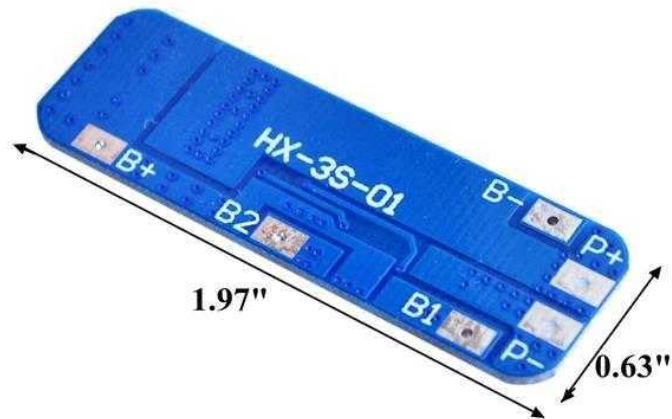
This is a protection module for 3-serial-cell lithium-ion / lithium polymer rechargeable batteries and includes a high-accuracy voltage detector and delay circuit. Automatically cancel protection after fault conditions removed. With Protection function of overcharge, over-discharge, short circuit and over-current protection. Suitable for lithium battery pack of 11.1V, 12V & 12.6V.



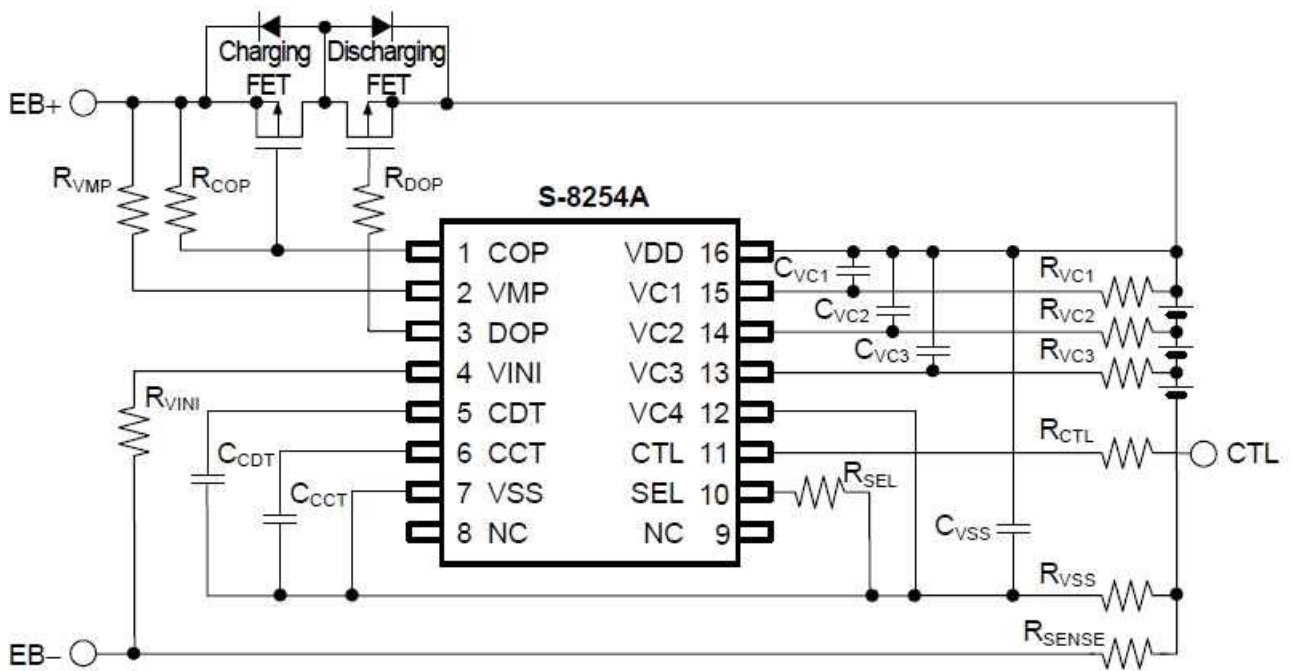
Brief Data:

- Overcharge Voltage Detection: $3.9\sim 4.35V \pm 0.05V$.
- Over discharge voltage Detection: $2.3\sim 3.0V \pm 0.05V$.
- Maximum operating current: 6~8A.
- Quiescent current: $< 30\mu A$.
- Internal resistance: $< 100m\Omega$.
- Charging voltage: 12.6V ~ 13V.
- Working temperature: $-40\sim +50^{\circ}C$
- Short circuit protection: Yes, delayed self recovery.
- Dimensions: (50 x 16 x 1) mm

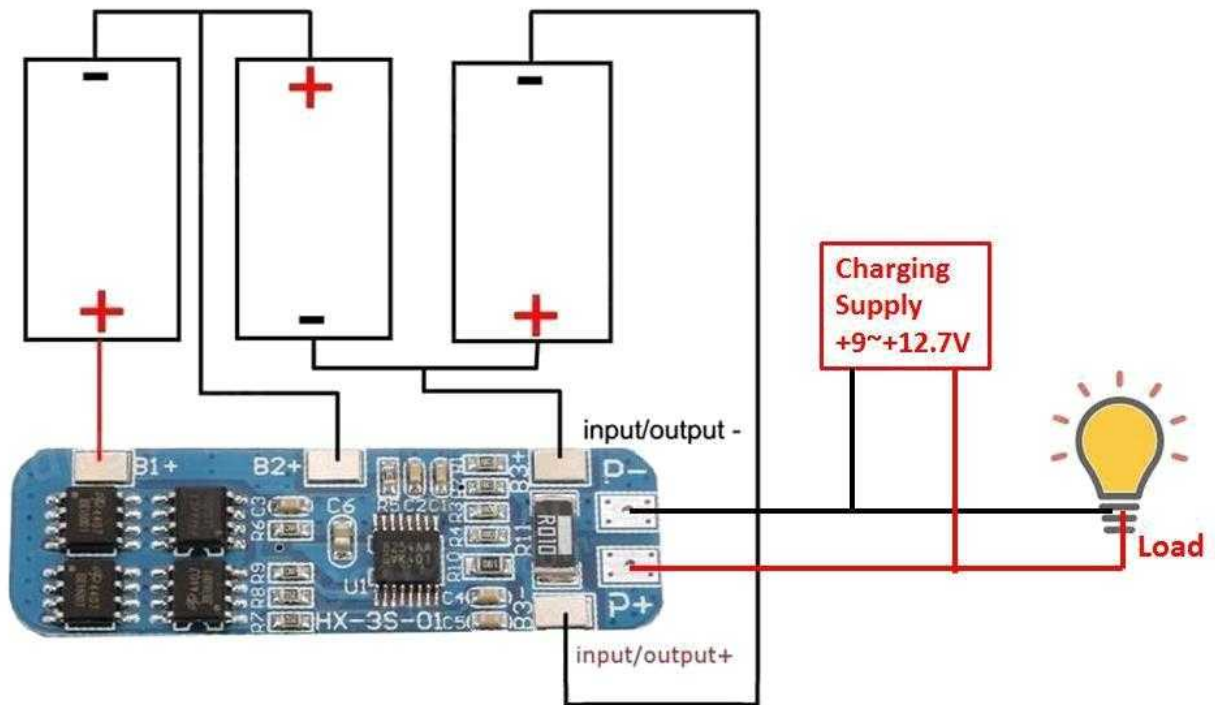
Board Dimension:



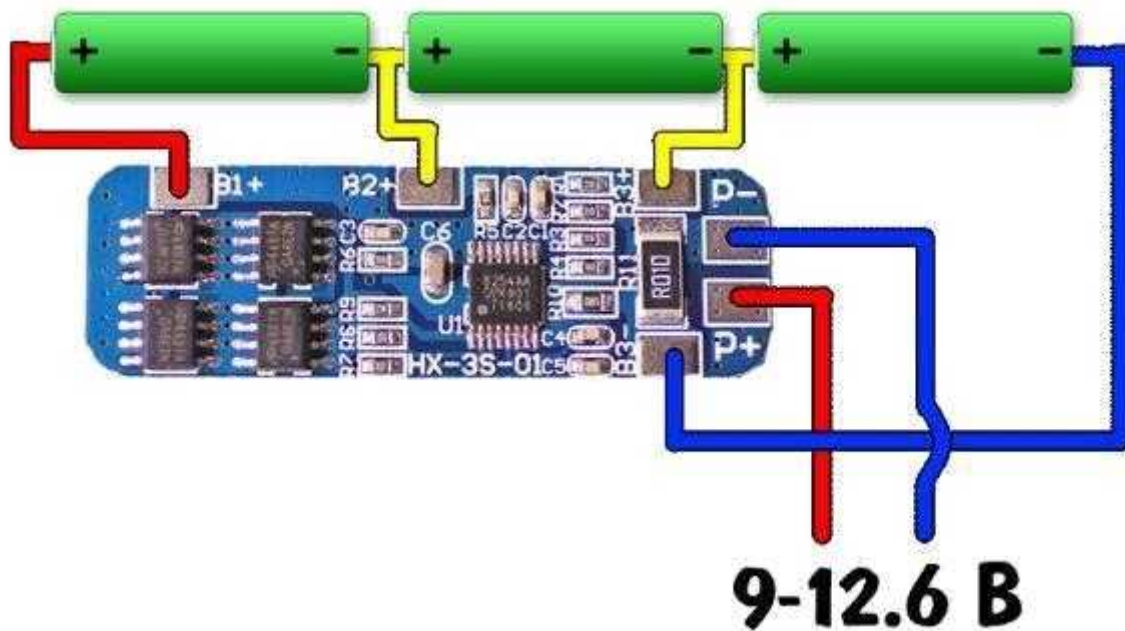
Schematic Diagram:



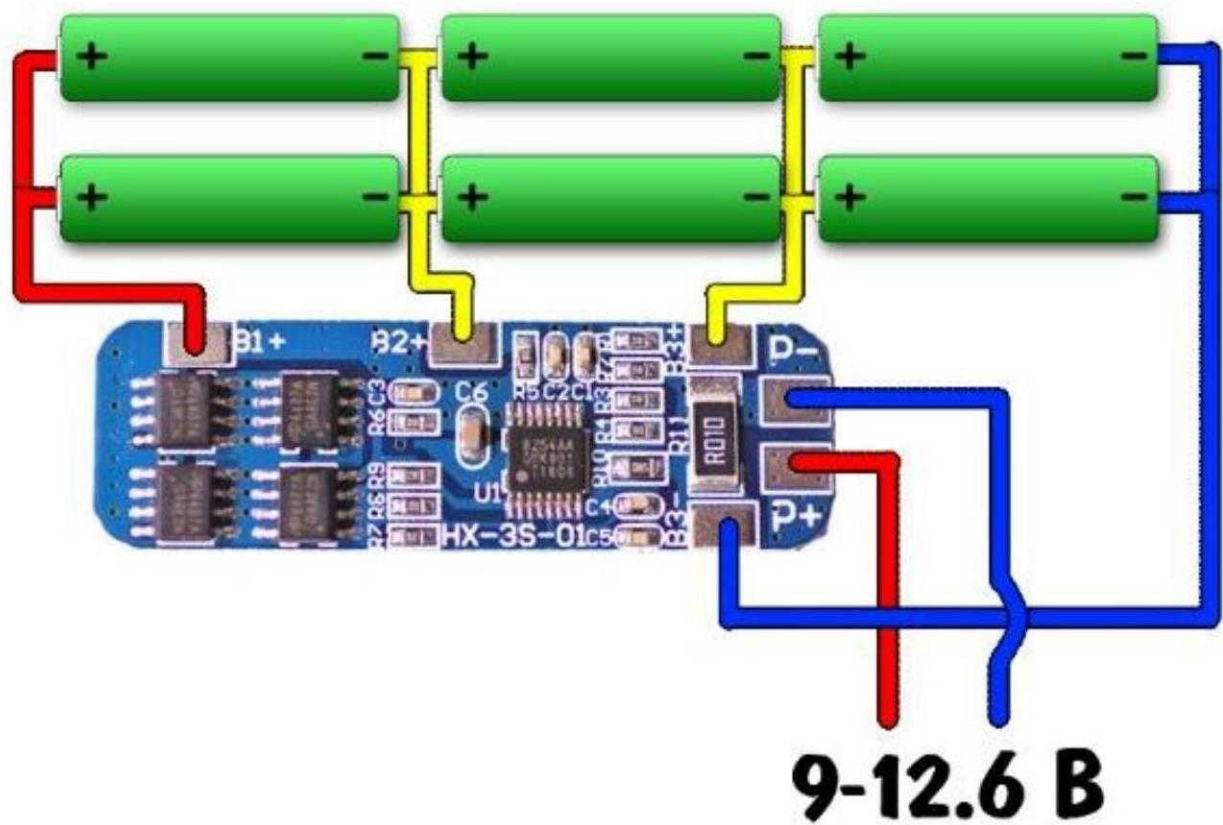
Basic Connection Diagram:



Application Example:



Charging 3S1P (3 Series 1 Parallel)



Charging 3S2P (3 Series 2 Parallel) Configuration